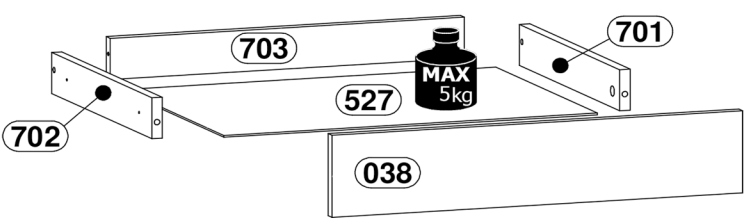
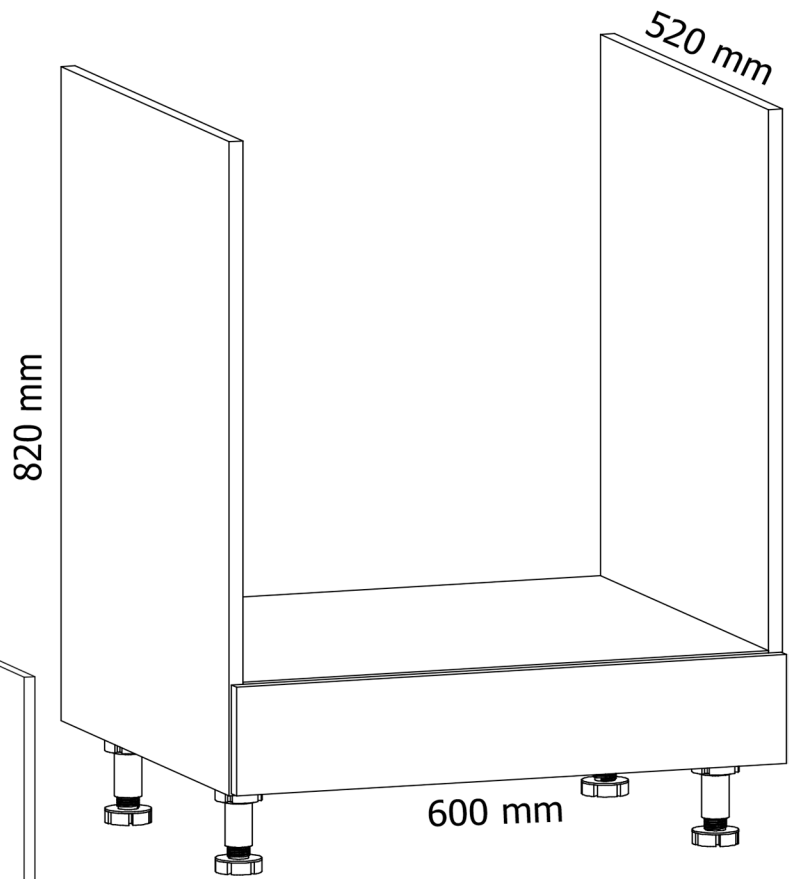
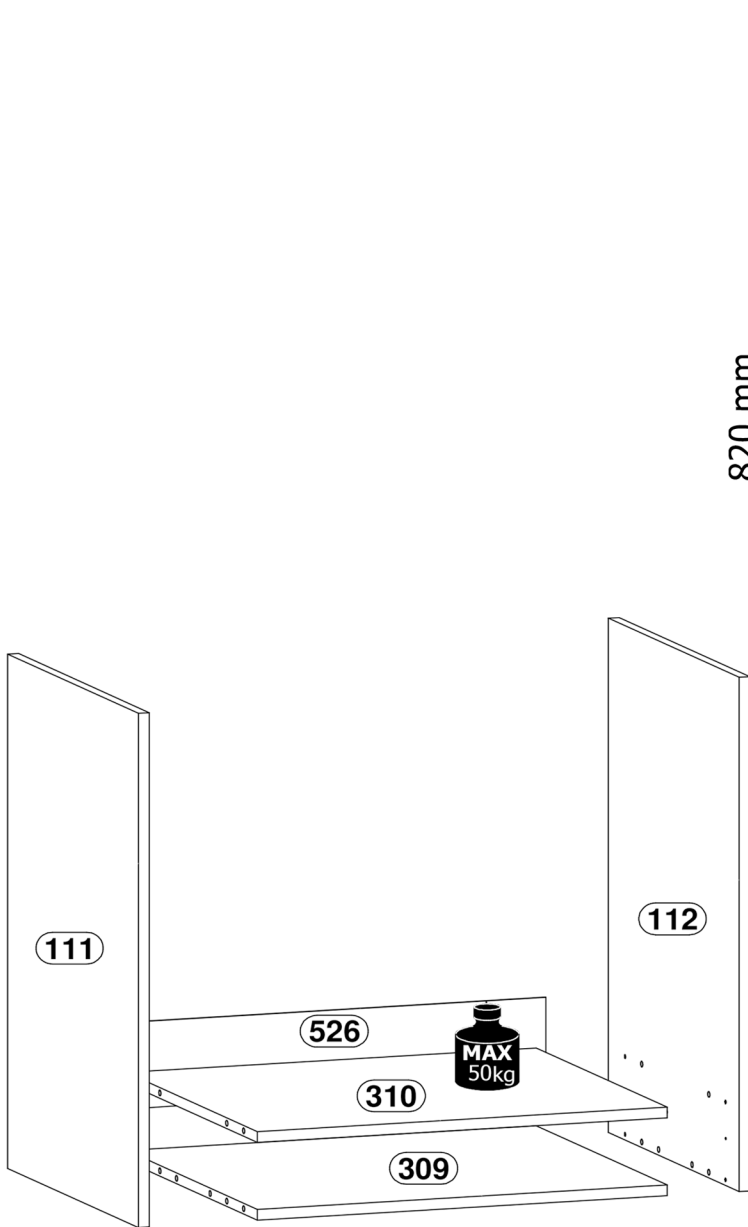
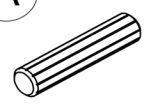
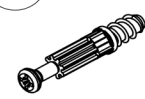

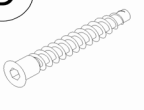
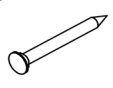
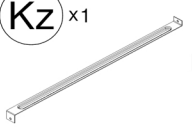
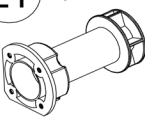








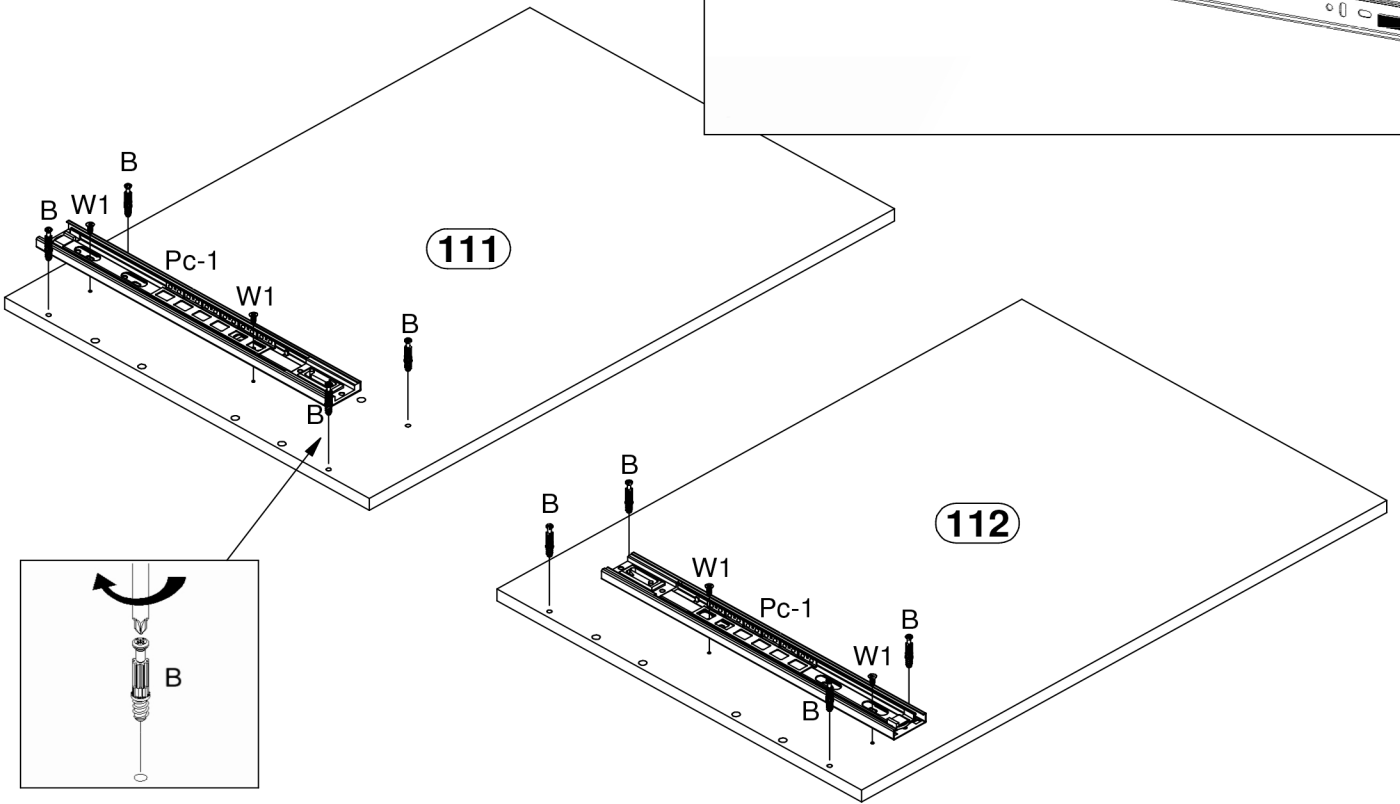
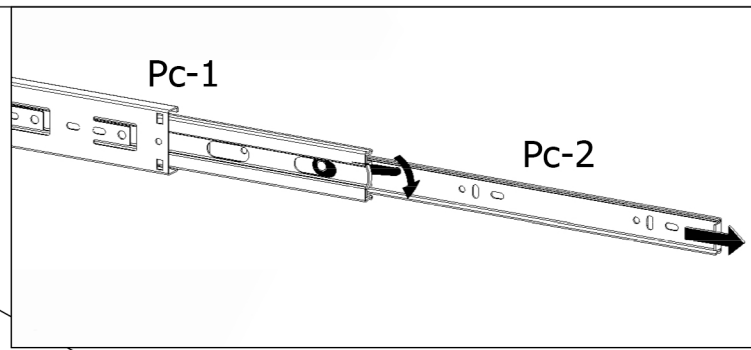
# D60ZK

# S60PK

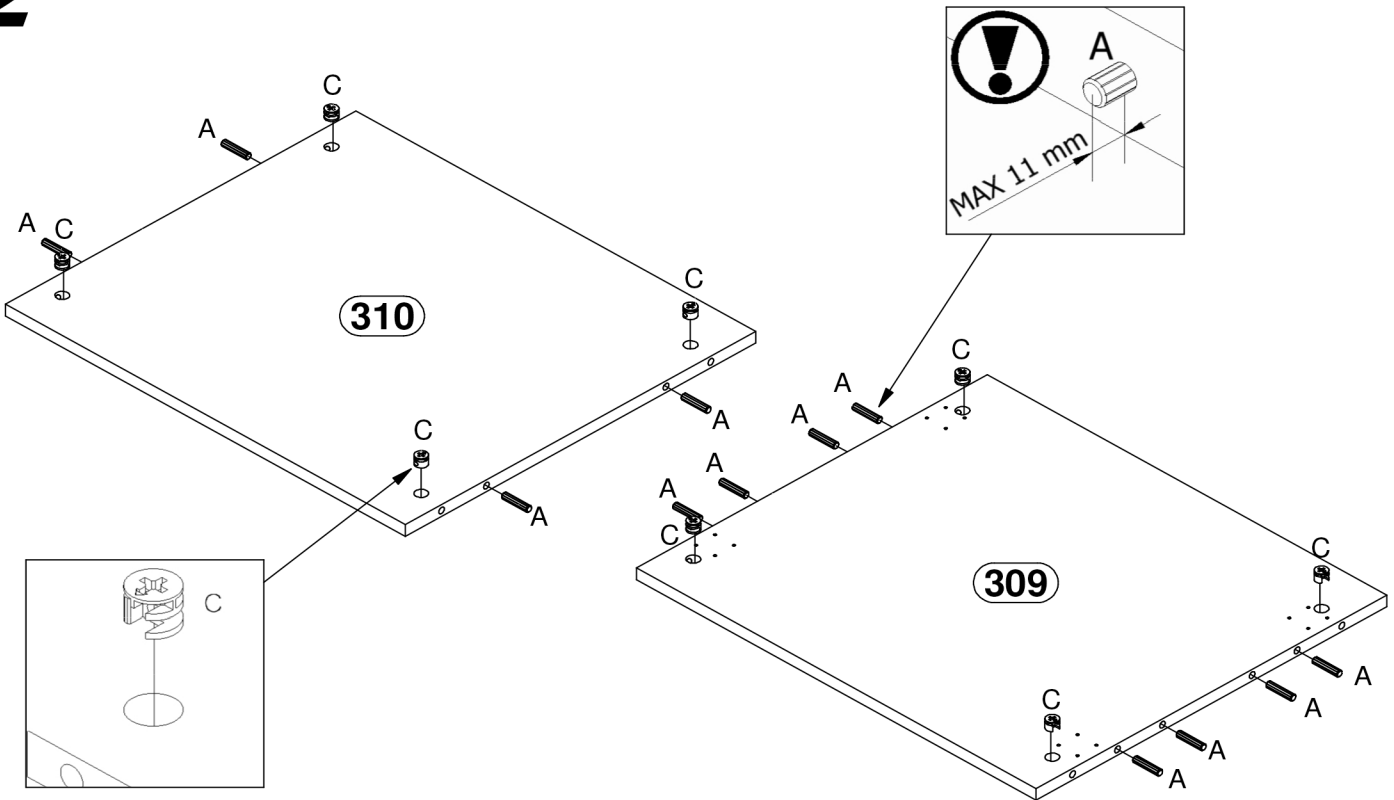


<b>A</b> x14  Ø8x35mm	<b>B</b> x10  Ø8x35mm	<b>C</b> x10  Ø15x12mm	<b>D</b> x2  Ø6,4x50 mm
<b>G</b> x27 	<b>Kz</b> x1  400 mm	<b>L1</b> x4 	
<b>Pc</b> x2  Pc-1  Pc-2	<b>W1</b> x10  Ø3,5x13	<b>W2</b> x16  Ø3,5x16	
<b>Y</b> x10  Ø18 mm	<b>Y1</b> x2 		

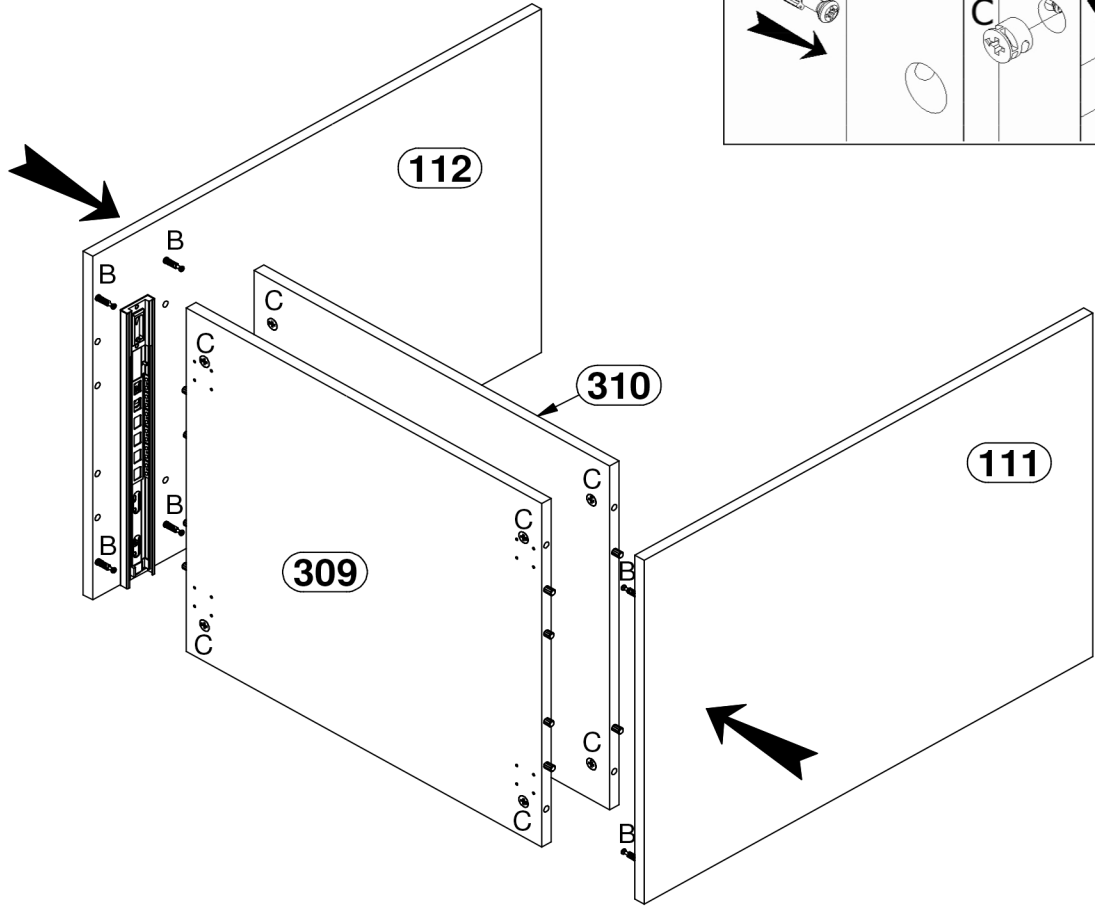
# 1



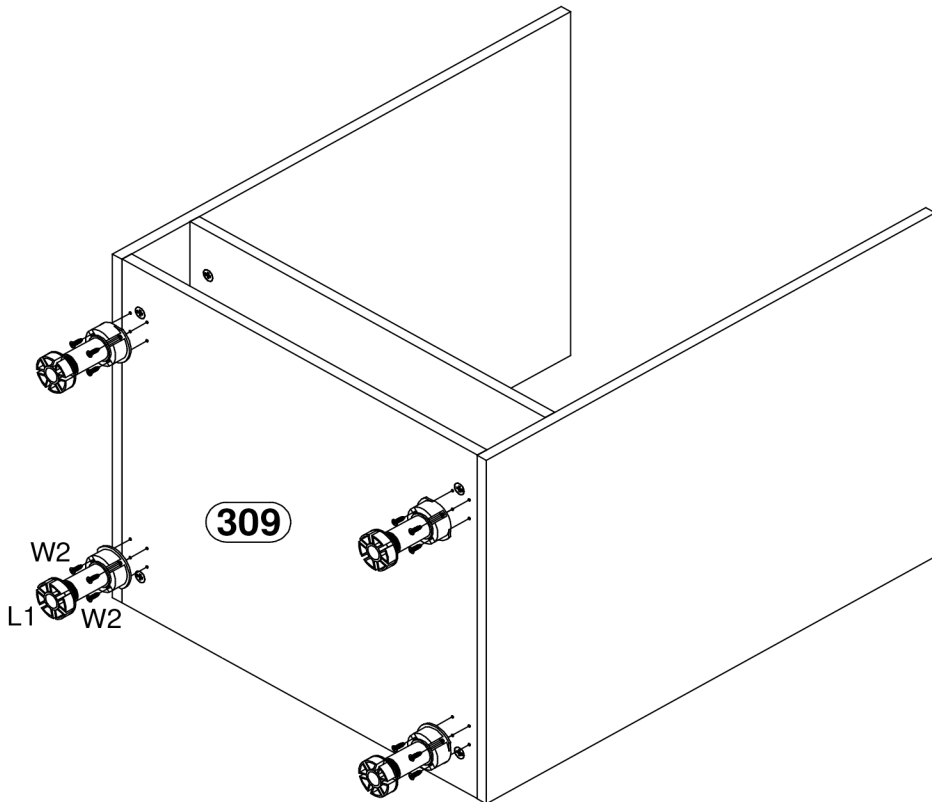
# 2



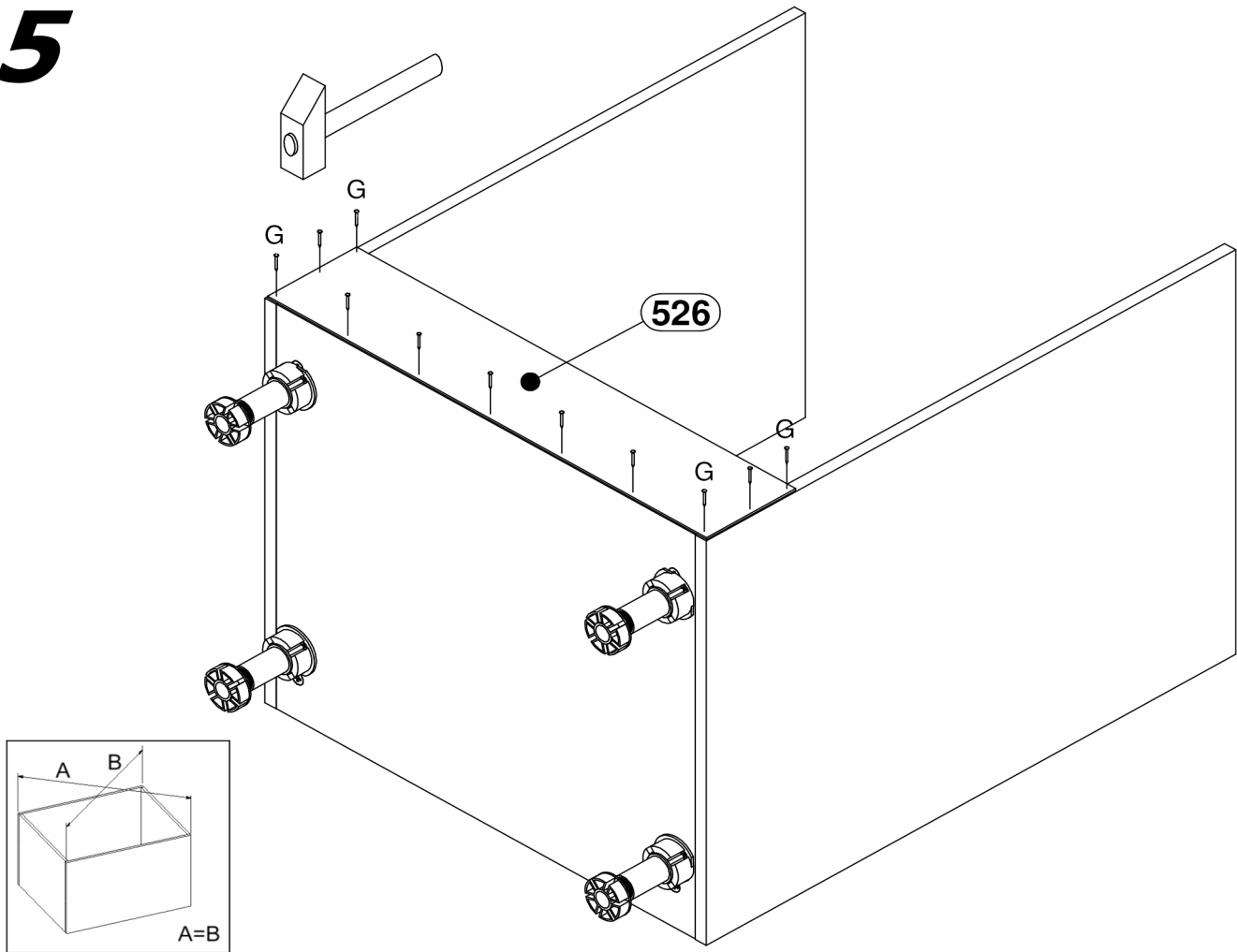
# 3



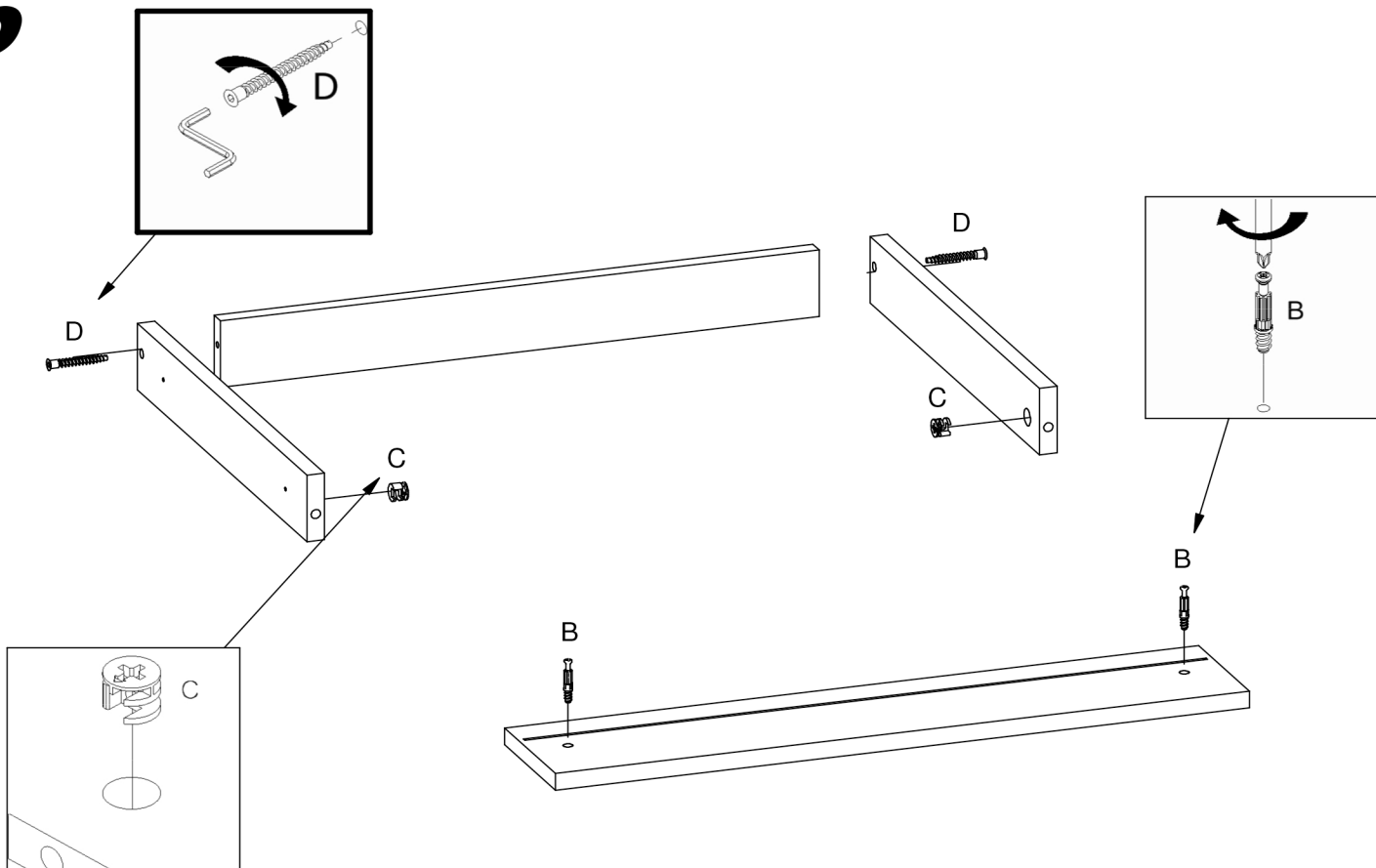
# 4



# 5

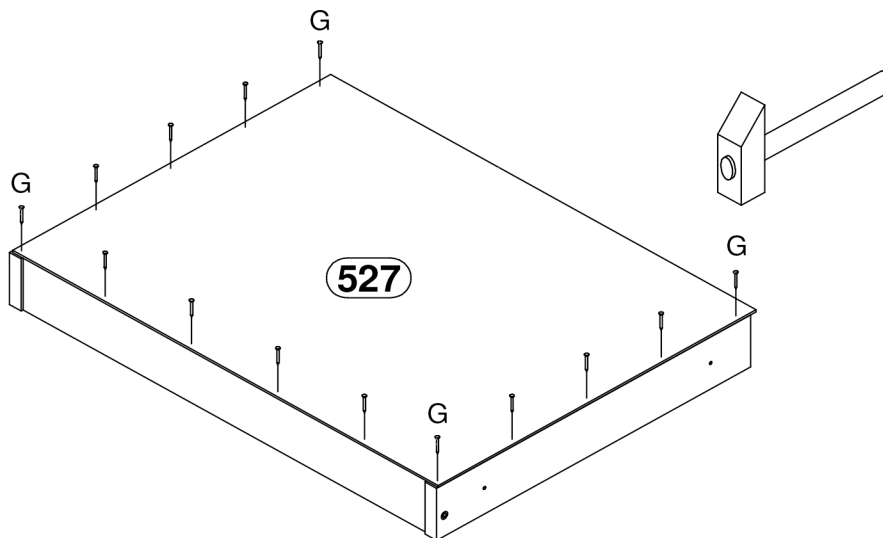
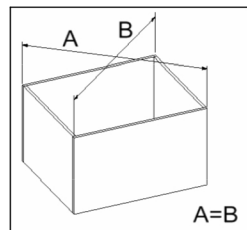


# 6

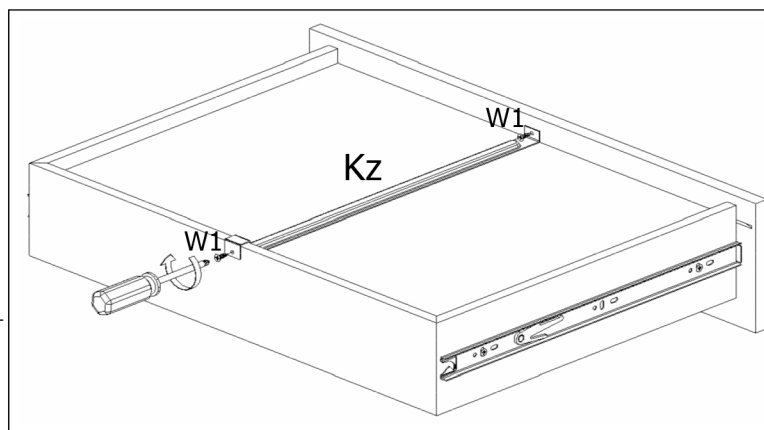
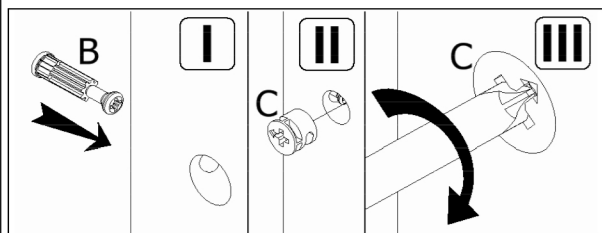
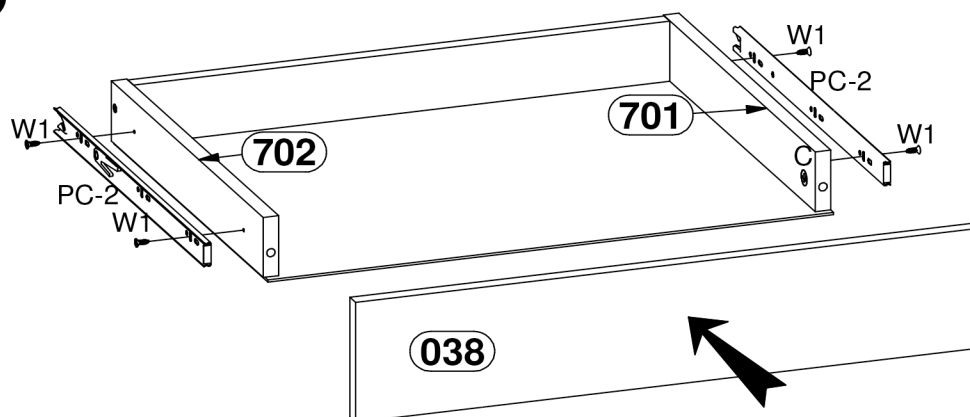




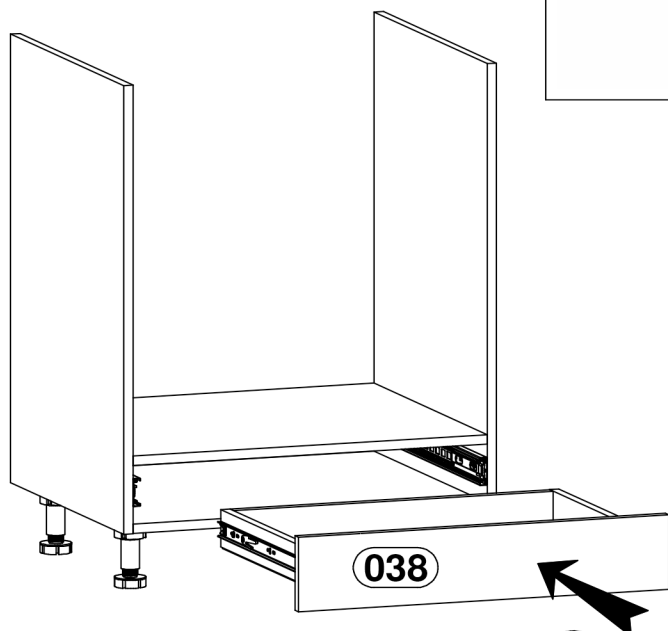
# 7

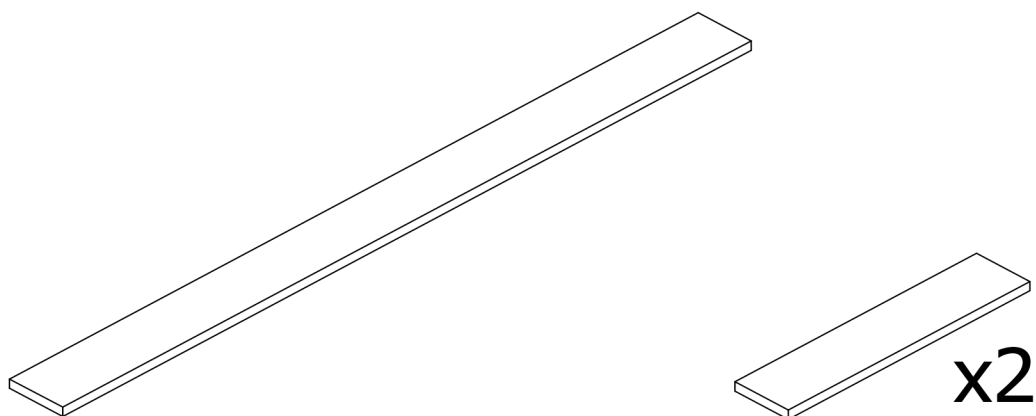
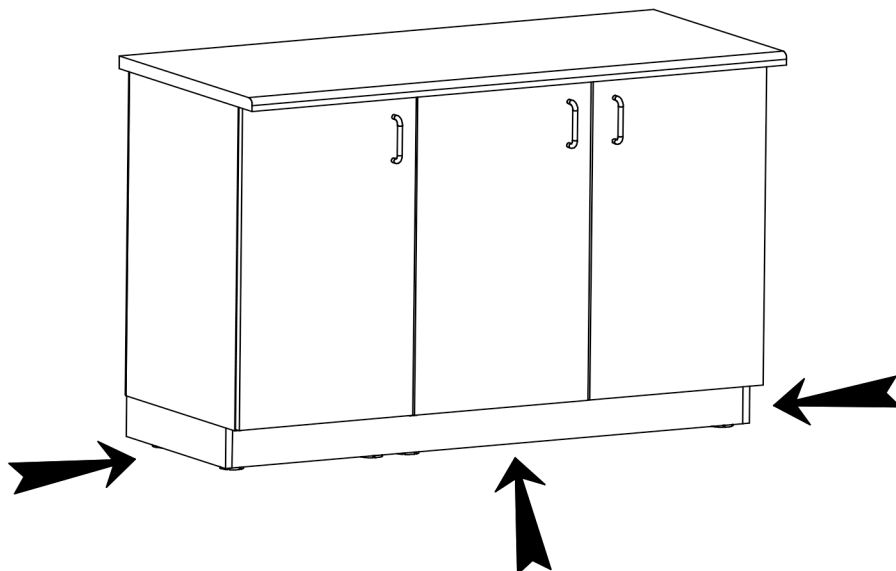


# 8

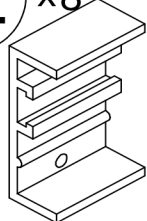


# 9

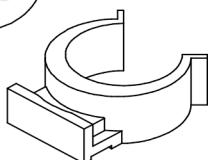




L2 x8



L3 x8

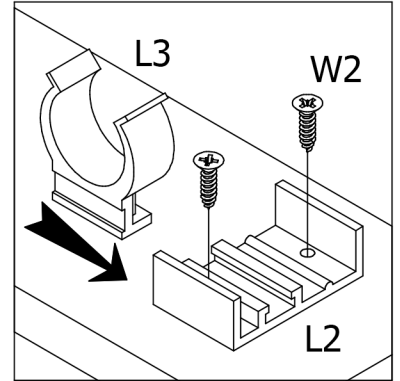
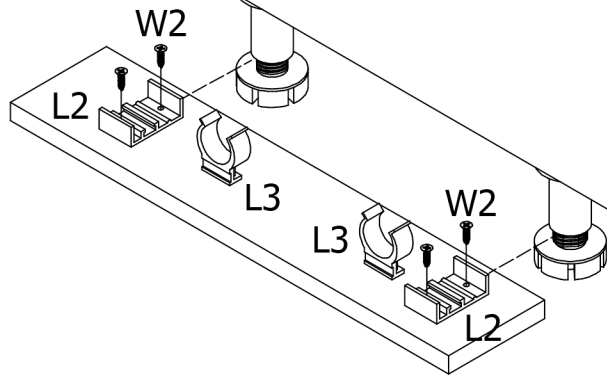


W2 x16



Ø3,5x16

# 9



# 10

